

44  
1200  
211

Project  
**Citi contracting**  
TetraPak Project

Owner  
---

Date	Description
DSD-V1-ID-2/10/2024	- REV1
DSD-V1-ID-9/11/2024	- REV2
DSD-V1-ID-5/12/2024	- REV3
DSD-V1-ID-16/1/2025	- REV4

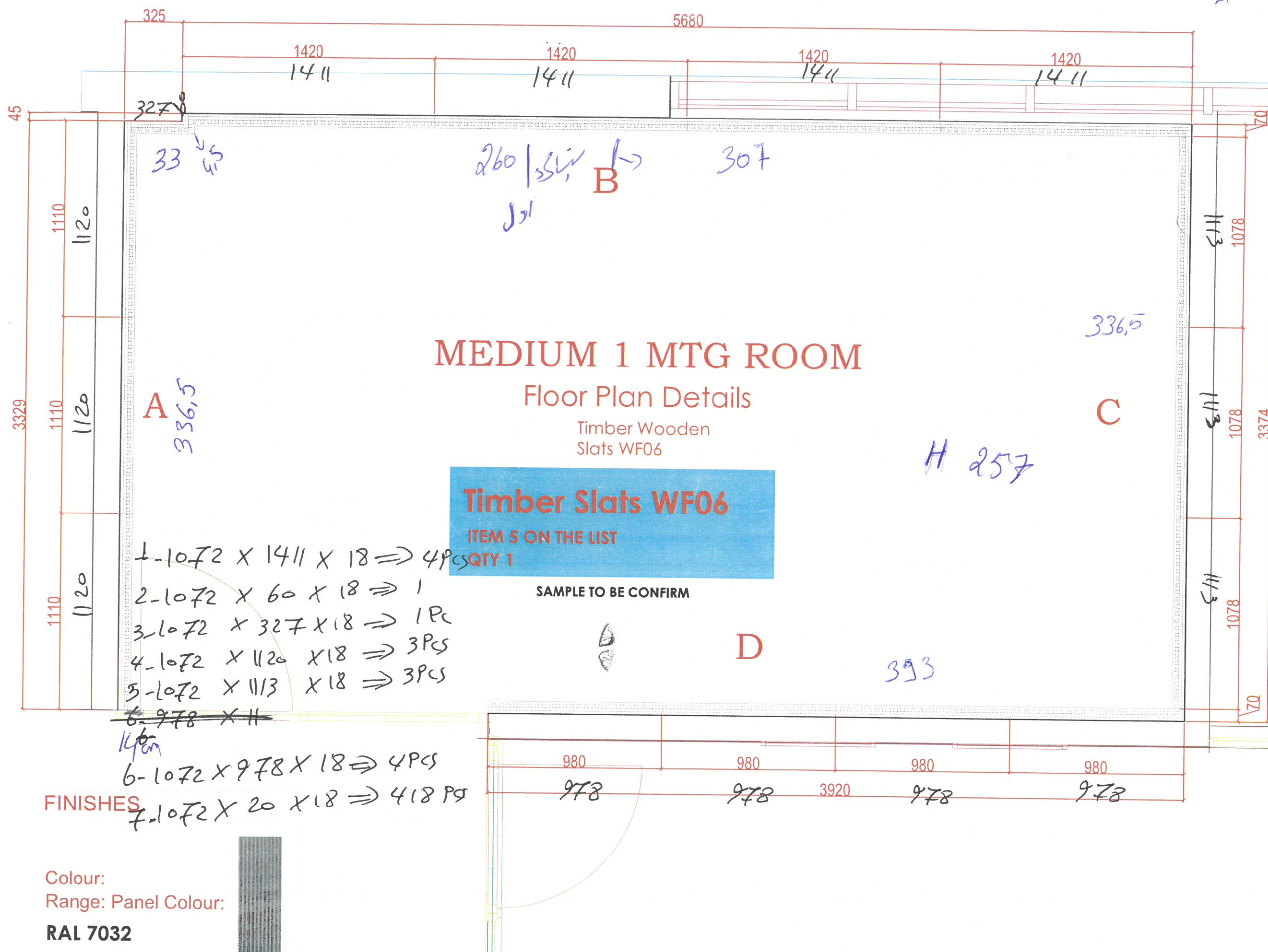


FOR APPROVAL

Project No. : ---  
Scale : N/A  
Drawn by : OBJ  
Checked : OBJ  
Cad File : CAD\_FILE

Sheet title  
**MEDIUM MTG ROOM Timber Slats WF06**  
Floor Plan.

Dwg No. : No.  
WS-DS-SD-TP-011 SHEET 1



Colour:  
Range: Panel Colour:  
**RAL 7032**



**FINISHES**

Colour:  
Range: Panel Colour:  
**RAL 7032**

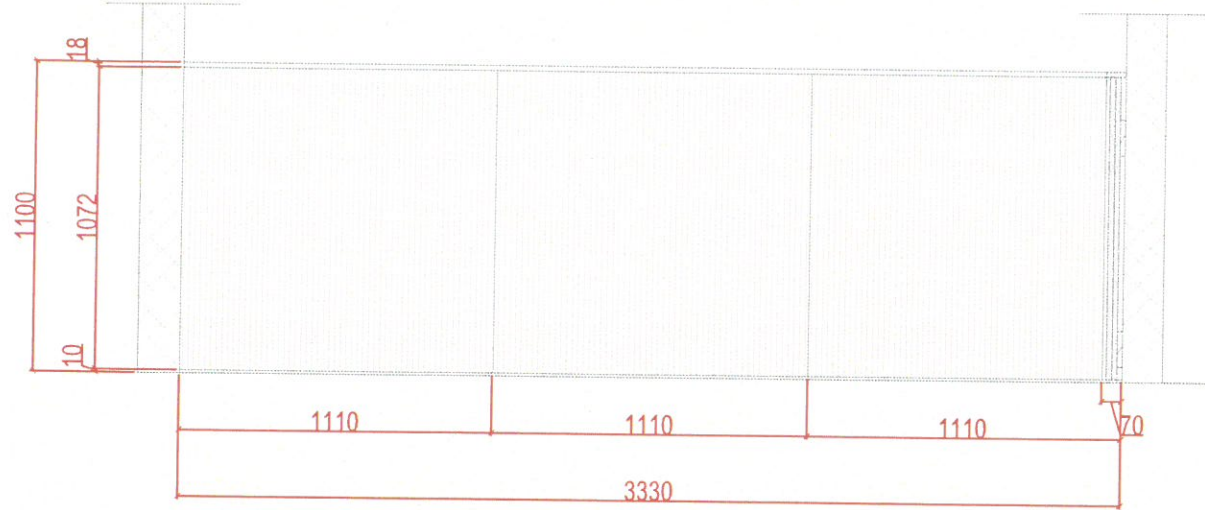


**Timber Slats WF06**  
ITEM 5 ON THE LIST  
QTY 1  
Wooden slats Panel Colour: RAL 7032

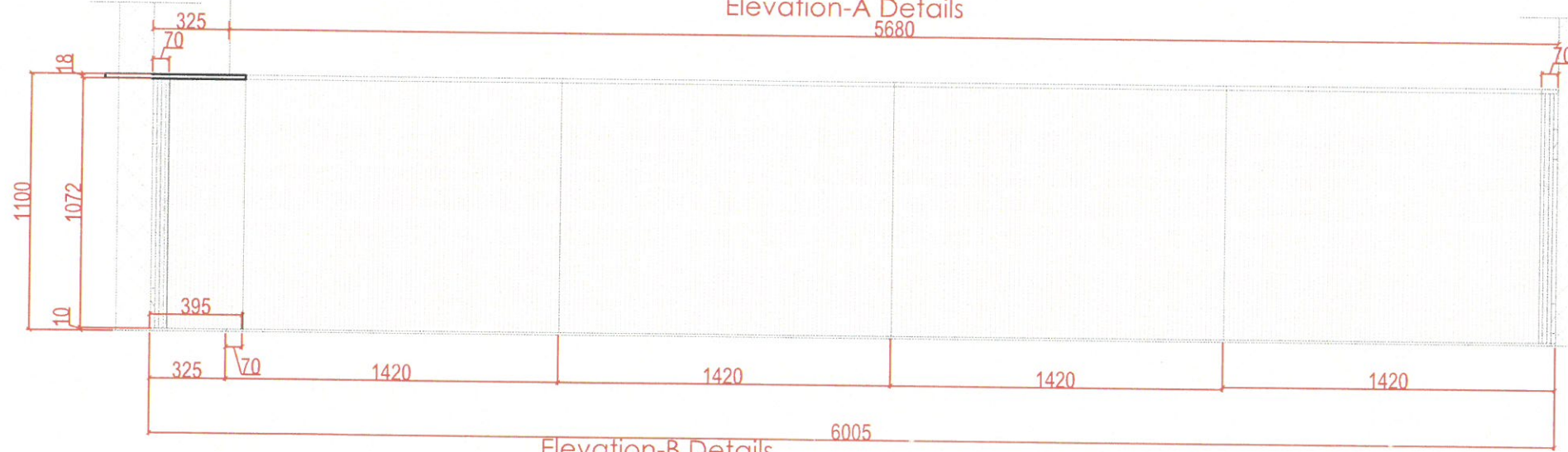
**MEDIUM 1 MTG ROOM**



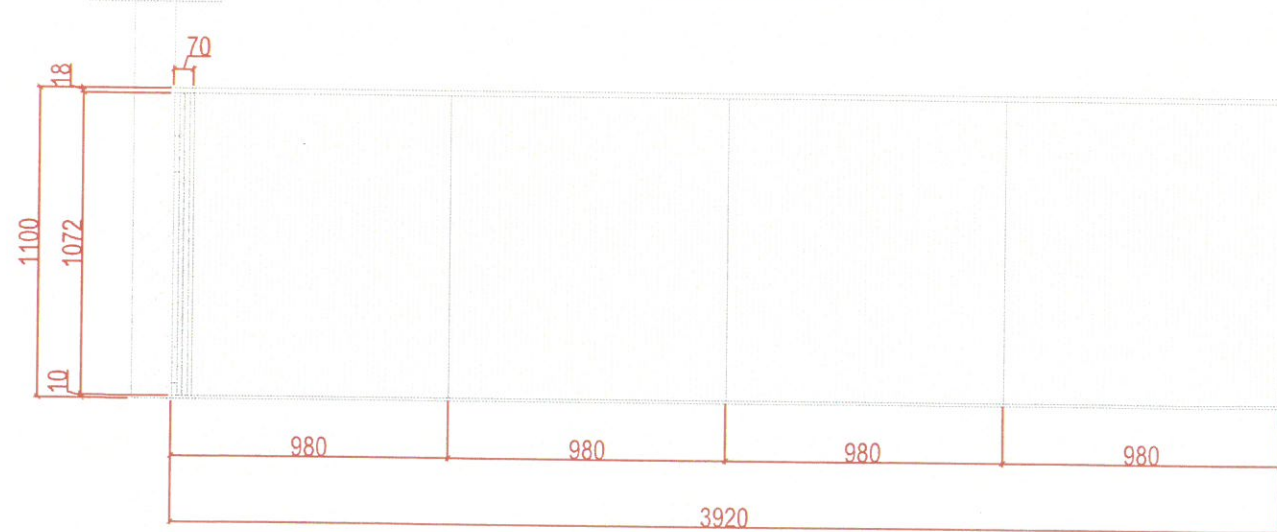
Ref. Image



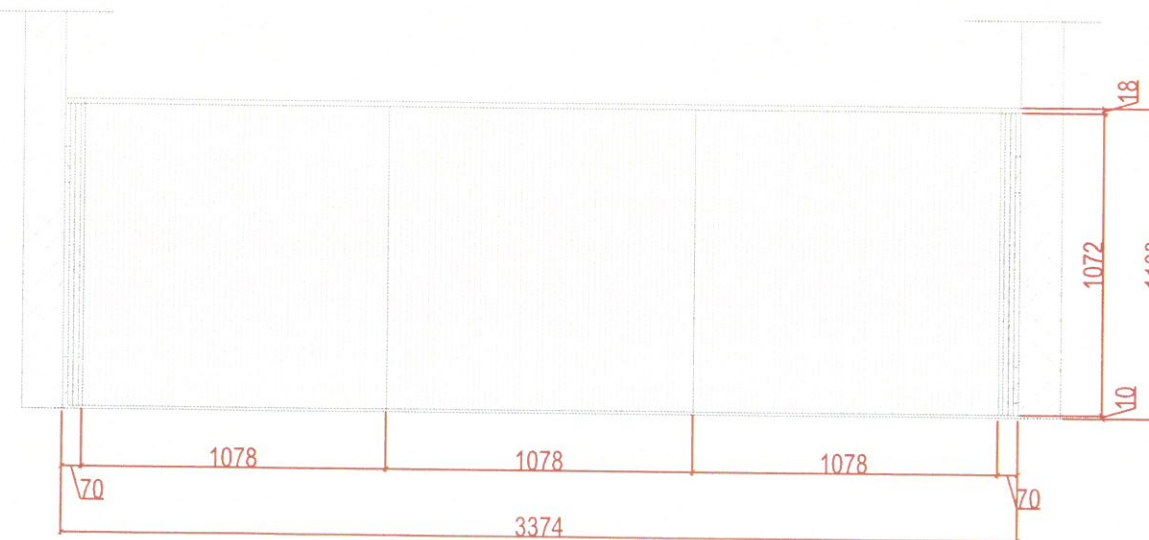
Elevation-A Details  
5680



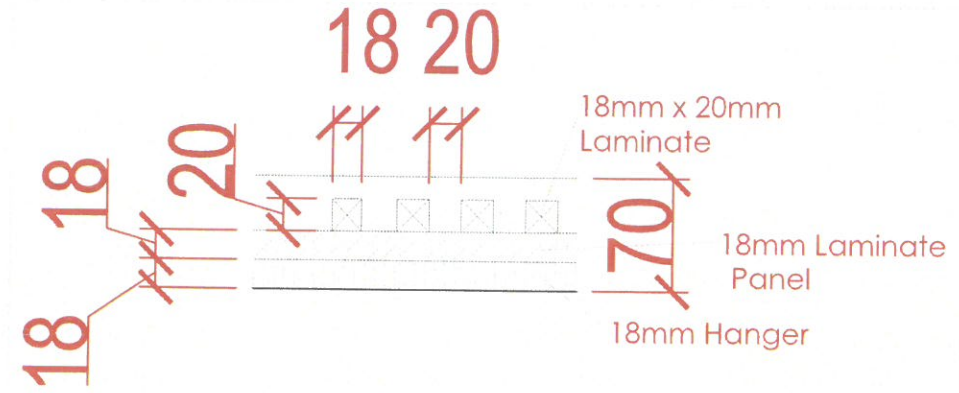
Elevation-B Details  
6005



Elevation-D Details



Elevation-C Details



www.wood-styles.com

Copyright of designs shown herein is retained by this office. Authority is required for any reproduction. © Copyright Wood-styles Ltd.

Nigeria, Lagos +234 80 9037 9888  
Email: info@wood-styles.com

Project  
**Citi contracting**  
TetraPak Project

Owner  
---

Date	Description
DSD-V1-ID-2/10/2024	- REV1
DSD-V1-ID-9/11/2024	- REV2
DSD-V1-ID-5/12/2024	- REV3
DSD-V1-ID-16/1/2025	- REV5



FOR APPROVAL

Project No. : ---  
Scale : N/A  
Drawn by : OBJ  
Checked : OBJ  
Cad File : CAD\_FILE

Sheet title  
**MEDIUM MTG ROOM Timber Slats WF06**  
Elevation and Sectional Details

Dwg No. : WS-DS-SD-TP-011  
No. : SHEET 2